

Enhancement of AVR response based on Intelligent Fuzzy-Swarm-PID Controller

¹Dr. Ahmed Kareem Abdullah , ¹Mr. Karrar Hameed Kadhim Abdul Amir, and ²Dr. Baqer Turki attyia

¹AL-Musaib Technical College, Al-Furat Al-Awsat Technical University, Babil, Iraq.

²Southern technical university, Thi-Qar, Iraq

ahmed_albakri1977@yahoo.com

Abstract

Automatic voltage regulator is used to fix the output signal by correcting the voltage of the exciter and track the generator's voltage. The improvement of automatic voltage regulator (AVR) response will be reflected on the power system performance. In this paper two intelligent techniques fuzzy logic (FL) and Particle swarm optimization (PSO) are used to enhance the response of the Fourth order AVR system based on the merging between them and then the control action summed and coupled with PID controller action. Fuzzy controller has many benefits in design of AVR compared with conventional controllers, but the response of the AVR system is still insufficient, therefore, the PSO and Fuzzy are used together for this purpose to produce Fuzzy-Swarm-PID controller (FSPID). Usually the cognitive (C1) and social acceleration (C2) are taken as constant values in PSO algorithm, but here the Fuzzy logic system is used to get these accelerations to enhance the response.

تحسين اداء المنظم الاوتوماتيكي لفولتيه بالاعتماد على المسيطر الذكي الضبابي- السرابي-الثلاثي

د. احمد كريم عبدالله أ. كرار حميد كاظم عبدالامير د. باقر تركي عطيه

جامعه الفرات الاوسط التقنية - الكلية التقنية المسيب - بابل - العراق

الجامعة الجنوبية التقنية - ذي قار - العراق

ملخص

منظم الفولتيه الاوتوماتيكي يستخدم في تثبيت ومتابعه فولتيه المولد والسيطره على استجابته الماكنه بواسطه تصحيح فولتيه المحفز . تحسين اداء المنظم سينعكس بشكل عام في تحسين اداء نظام السيطره، المسيطر الضبابي يستخدم بشكل واسع في تحسين اداء المنظم . هذا المسيطر لديه عدد من الفوائد مقارنة مع المسيطرات الاخرى ، ولكن استجابته المنظم تبقى غير كافية ، لذا استخدمت تقنيه الامثله بواسطه التجمعات الجزئيه في تحسين اداء النظام بشكل افضل بكثير من المسيطرات التقليديه . في هذا البحث تم دراسته وتحليل المنظم الاوتوماتيكي ذات درجه عاليه وبعد ذلك اختبر هذا المنظم بالخوارزميه المقترحه والتي هي عبارته عن تهجين بين النظام الضبابي وتقنيه الامثله بواسطه التجمعات الجزئيه وجمع الاشاره الخارجيه مع استجابته المسيطر الثلاثي للحصول على افضل اشارته سيطره ، الهدف من هذا العمل الحصول على اشارته سيطره مع اخذ فوائد كل مسيطر وجمعها في مسيطر واحد اطلق عليه (المسيطر الضبابي السرابي الثلاثي) . على الاغلب تؤخذ قيم التسارع المعرفي والتسارع الاجتماعي في تقنيه الامثله بواسطه التجمعات الجزئيه كقيم ثابتة ولكن في هذا البحث تم ايجادها عن طريق النظام الضبابي . النتائج بينت ان الخوارزميه المقترحه ذات كفاءته عاليه ومؤثره على استجابته النظام .

1. Introduction

In power system, it is very hard to alleviate the effectiveness of the system by conventional controllers [1]. The automatic voltage regulator (AVR) represent the main part to fix and control on the voltage in any machine, therefore the response enhancements in this part will be reflected directly on the overall response enhancement. In recent years, many control algorithms worked to enhance AVR response [1, 2], such as the Intelligence methods, which are effective and suitable to improve overall stability of the machine system [3, 4], compared with the conventional controllers which that implemented according to conservative theory. The PID tuned by artificial algorithms (AIs) have several advantages and stimulated by authors to make this connections to solve the problems in power system and to improve the response of the system and to avoid the limitations in classical and conventional theories [1]. Practical swarm optimization (PSO) and genetic algorithm (GA) algorithm are used to optimize the PID in different fields. PSO technique based on Ref. [5] is used for tuning and optimizing the power system gains and the results exposed that the PSO is a suitable algorithm for this purpose. Ref. [6] used GA to calculate the optimal gains of AVR system, real genetic algorithm is used to calculate the PSS gains [7] to enhance the overall system response.

2. High Order model of Automatic Voltage Regulator (AVR).

The closed loop system with AVR is explained in figure 1, the AVR formed by a grouping of a simple synchronous generator model. AVR system involves four blocks as shown in figure 1 [8, 9]: Amplifier; Exciter; Generator; and Sensor.

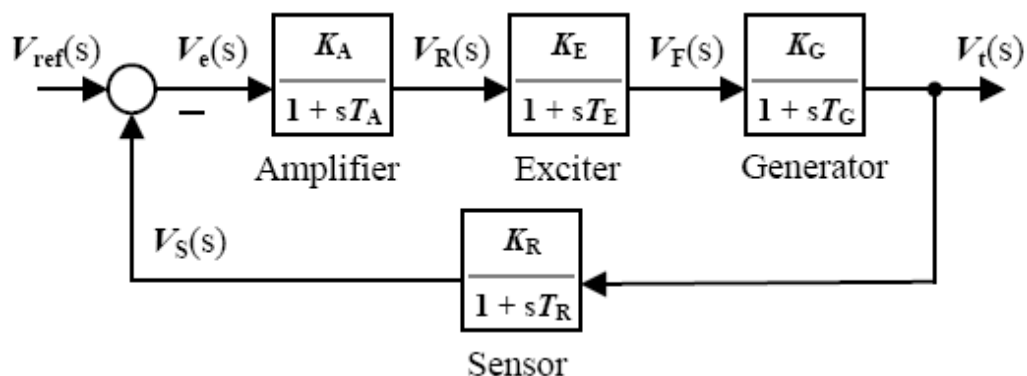


Figure 1 feedback control system with AVR

From figure 1, the transfer function connecting the generator output voltage $V_t(s)$ of the input voltage $V_{ref}(s)$ can be explained as follow:

$$\frac{V_t(s)}{V_{ref}(s)} = \frac{K_A K_E K_G (1 + sT_R)}{(1 + sT_A)(1 + sT_E)(1 + sT_G)(1 + sT_R) + K_A K_E K_G K_R} \quad (1)$$

Each block in figure 1 are showed in table 1. The values are selected according to many references [9-17].

Table 1: Functions, equations, parameters, and values of figure 1

Block	Function /value	Variable with its value
Exciter	$G_{Exc} = \frac{K_E}{1 + sT_E}$	$K_E = 200; T_E = 0.05$
Generator	$G_{Gen} = \frac{K_G(1 + sT_{z1})(1 + sT_{z2})(1 + sT_{z3})(1 + sT_{z4})}{(1 + sT_{p1})(1 + sT_{p2})(1 + sT_{p3})(1 + sT_{p4})}$	$K_G = 1; T_{p1} = 3.9517; T_{p2} = 0.1481; T_{p3} = 8.38e^{-3}; T_{p4} = 9.37e^{-4}; T_{z1} = 0.9087; T_{z2} = 0.1257; T_{z3} = 6.88e^{-3}; T_{z4} = 7.75e^{-4}$
Sensor	$G_{sen} = \frac{K_R}{1 + sT_R}$	$K_R = 1; T_R = 0.05$

3. Fuzzy Logic

The fuzzy logic technique was suggested in 1965 by L. Zadeh at the California University, different aspects of control processing and problems are solved by fuzzy theory. The main operation of Fuzzy theory are: fuzzification, defuzzification and finally inference engine. The Fuzzification process is used to transform the limited values into fuzzy set values. Fuzzy system is used to simulate thinking of human to control on the information or processing. Fuzzy system or fuzzy logic is implemented from long time to solve or tune the complex problems. No need to mathematical expression by using Fuzzy therefore the operations are simpler from another methods. Figure 2 shows the main components of fuzzy logic controller [18].

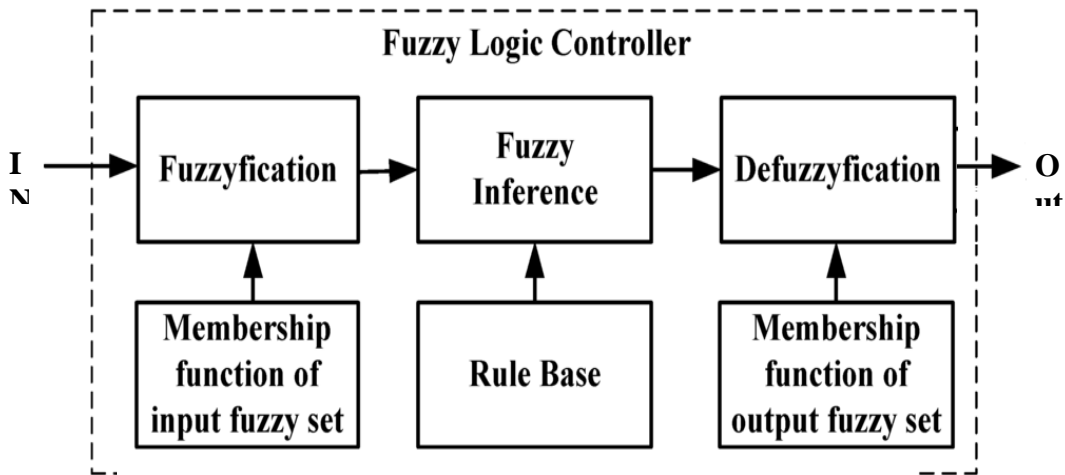


Figure 2 Fuzzy logic controller

4. Proposed Work: part 1: Fuzzy-Swarm Algorithm (FSA)

Fuzzy system with two input and two output is used to obtain and tune the best cognitive (C1) and social (C2) accelerations. Five triangular membership function are used with 25 rules and centroid defuzzification method are used in fuzzy system.

The velocity (vel) and position (k) of the PSO algorithm are described as follow [19, 20]:

$$vel_{i,j}(t + 1) = vel_j(x) + c_1r_{1j}(x)[y_{i,j}(x) - k_{i,j}(x)] + c_2r_{2j}(x)[\dot{y}(x) - k_{i,j}(x)] \tag{2}$$

$$k_{i,j}(x + 1) = k_{i,j}(x) + v_{l}o_{i,j}(x + 1) \tag{3}$$

Where $r_{1j}(t)$ and $r_{2j}(t)$ are limited between (0 and 1). In classical PSO algorithm C1 and C2 are taken as constant values, but in the proposed work these values are represent fuzzy values and changed based on fuzzy system and can be calculated as follow:

$$C1 = \frac{\sum_{z=1}^{mc1} \omega_z^{c1}(C1z)}{\sum_{z=1}^{mc1} w_z^{C1}} \tag{4}$$

$$C2 = \frac{\sum_{z=1}^{mc2} \omega_z^{c2}(C2z)}{\sum_{z=1}^{mc2} w_z^{C2}} \tag{5}$$

Where mc1 and mc2 are the number of the rules in fuzzy corresponding to C1 and C2, C1z and C2z represent the output results for rule number z corresponding to C1 and C2, finally w is represent the membership function of z rule. The Fuzzy-Swarm algorithm (FSA) is explained in the figure 3

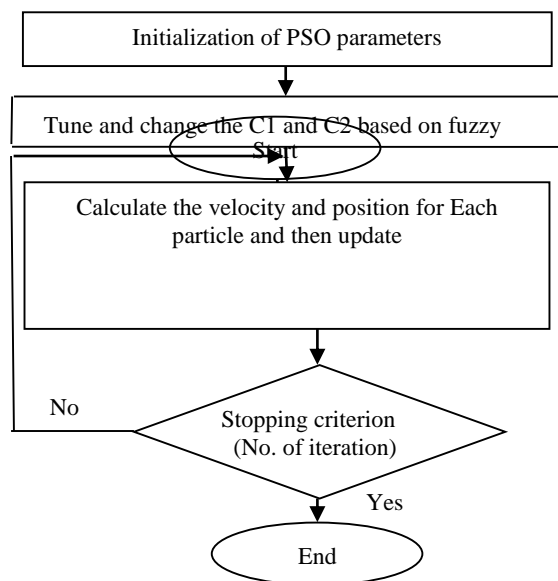


Figure 3. Flowchart of the proposed Fuzzy-Swarm algorithm (FSA).

Part 2: using conventional PID controller coupled with above controller to get the optimum control action, the advantage of each controller with be collected in the proposed controller to enhance the response of fourth order AVR system, as shown in the figure 4.

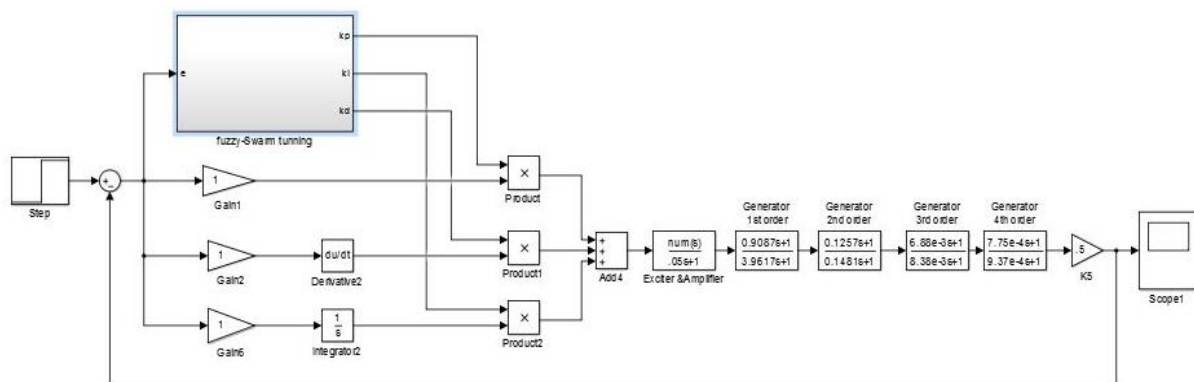


Figure 4. Feedback control system for 4th order AVR with proposed controller. (Fuzzy-Swarm-PID controller (FSPID) simulate in MATLAB simulink

4. Results

PSO and Fuzzy logic system are very suitable choose to solve many complex problems in any complex control systems with very good enhancement [21]. Fuzzy system is used to enhance the PSO algorithm by tune and change the C1 and C2 and then the response of this controller is summed with the control action from PID controller as shown in figure 4 to enhance the overall response by minimizing the error signal. Fourth order AVR is tested to check the performance of the proposed work and then compared with the classical controllers. A unite step signal of 1 (p.u) is applied as a voltage reference (input) to check the response. Figure 3 shows the simulation of AVR with 4th order model by MATLAB Simulink. Scope terminal voltage with and without controllers are shown in Figures 5, 6, and 7. The fourth order model of AVR system is used by many researchers such as [14, 22].

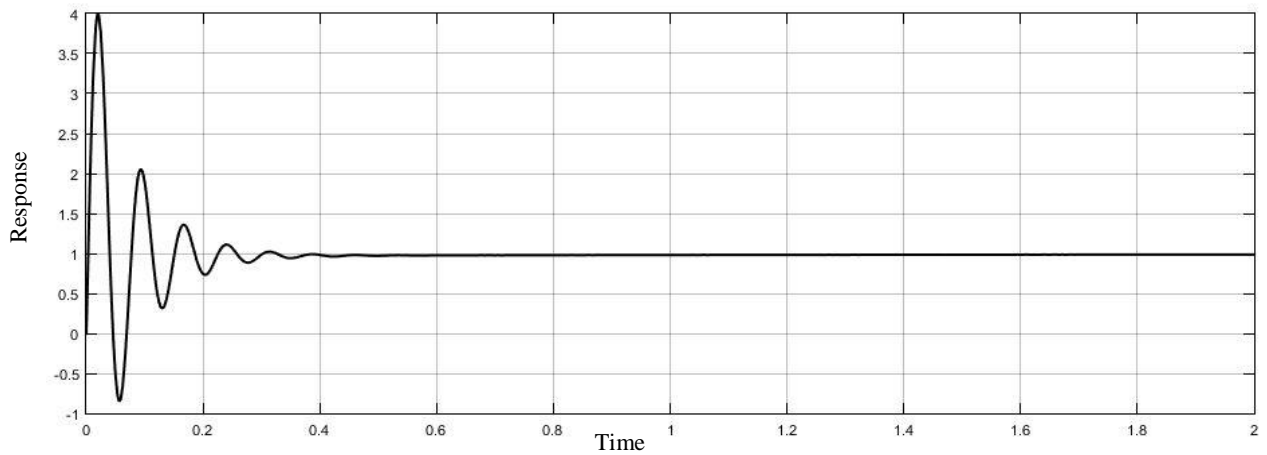


Figure 5 closed loop response without Controller

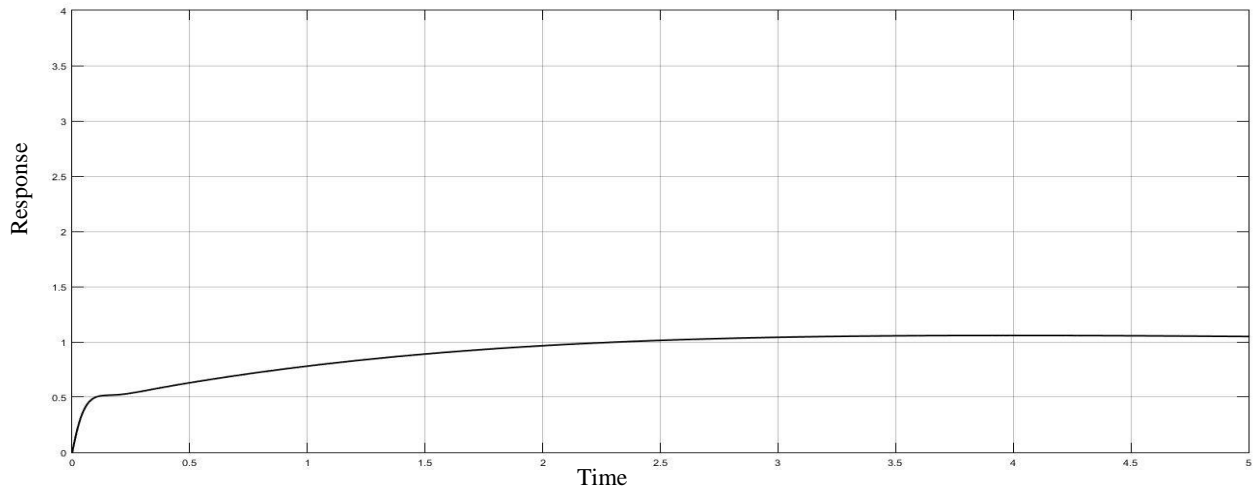


Figure 6 closed loop system response with PID Controller

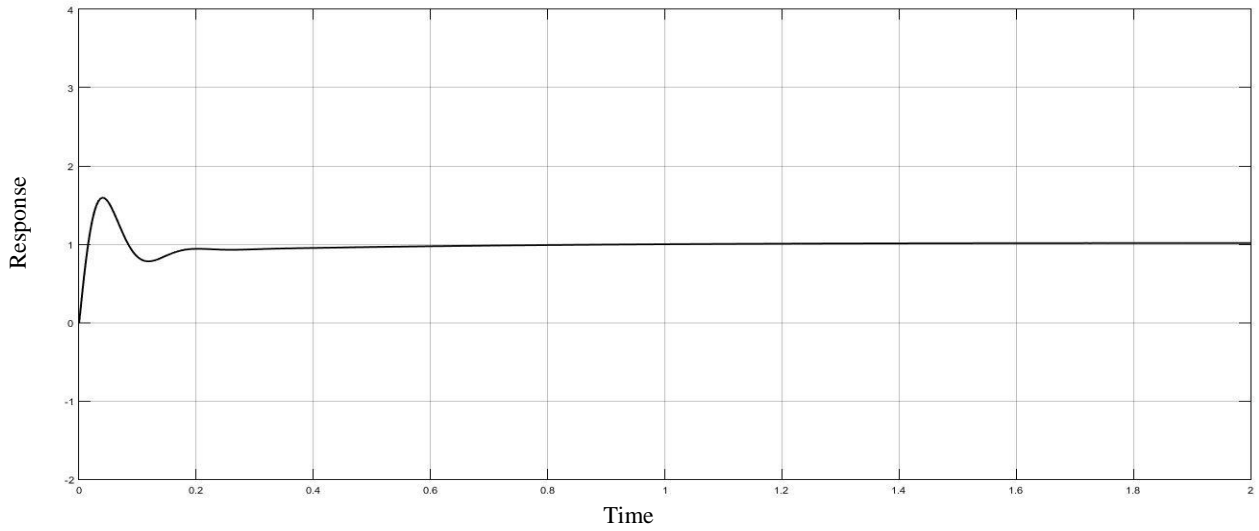


Figure 7 Closed loop system response with Fuzzy logic controller

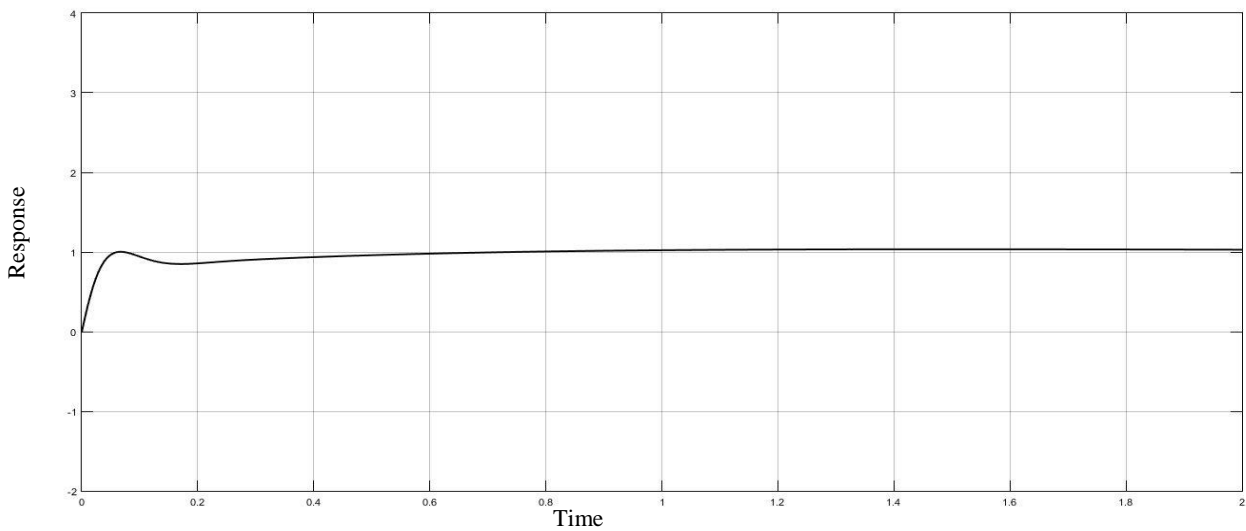


Figure 6 Closed loop system response with Fuzzy-Swarm-PID controller (FSPID)

Table 1 ISE and PID parameters for 4th order model

Type of Controller	ISE	Time response parameters			
		Overshoot	tr	tp	ts
Without controller	28.217	3	0.04	0.05	0.3
PID	6.183	/	1.6	/	1.7
Fuzzy	1.582	0.69	0.4	0.8	0.25
Fuzzy-Swarm-PID	1.256	0.01	0.03	0.1	0.23

Sudden high disturbance signal is applied on the system as explained in figure 7 to check the performance of the proposed work. The output responses are shown in Figures 8, 9, and 10.

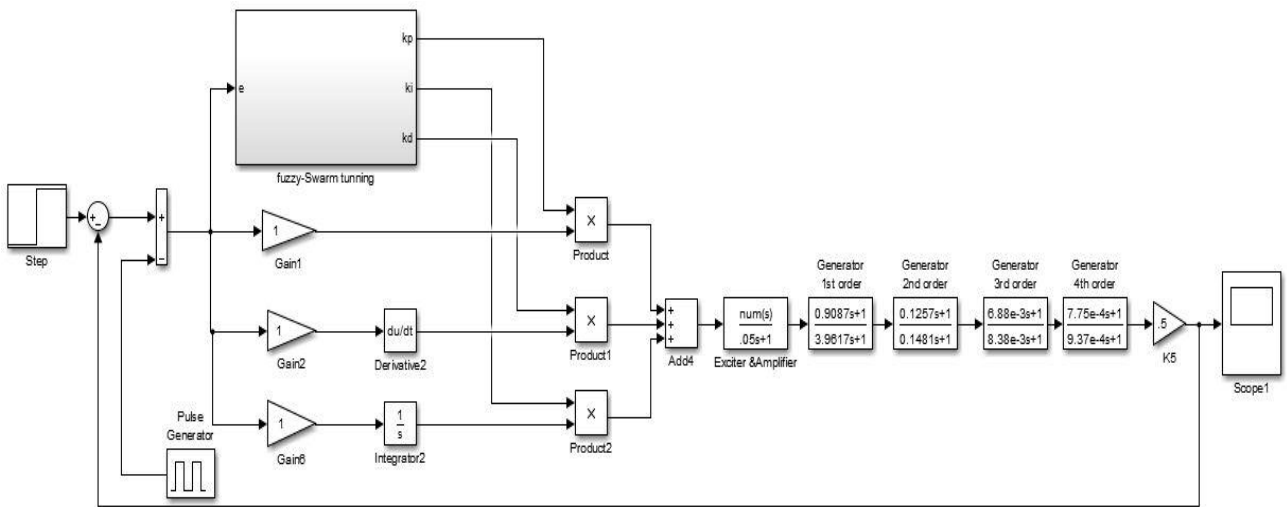


Figure 7 Closed loop system response of AVR system subjected to disturbance simulated in Matlab-

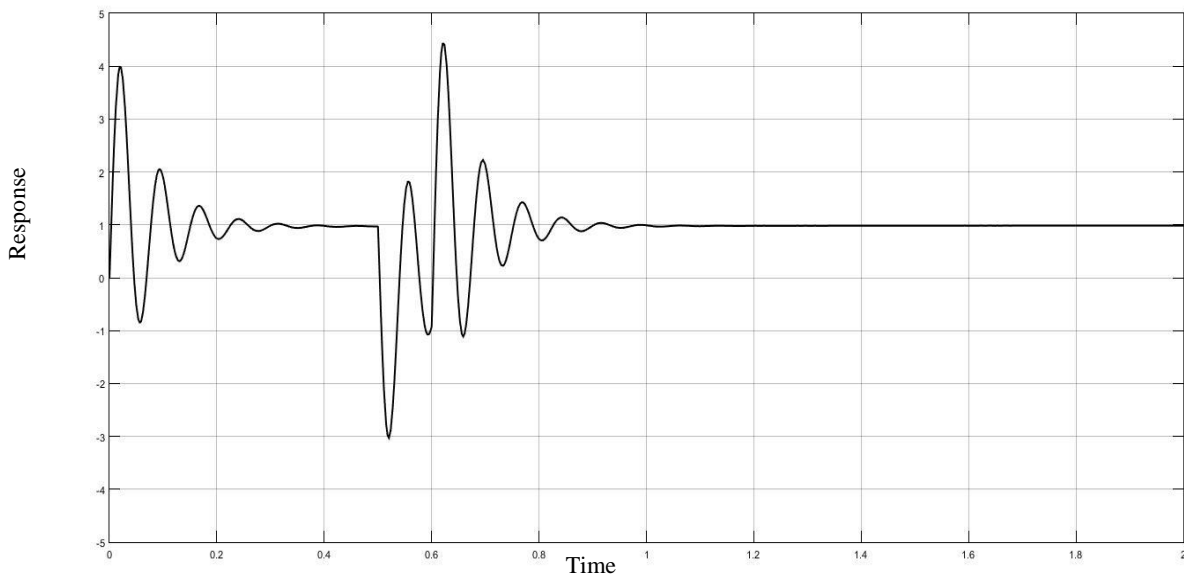


Figure 8 System response with disturbance without controller

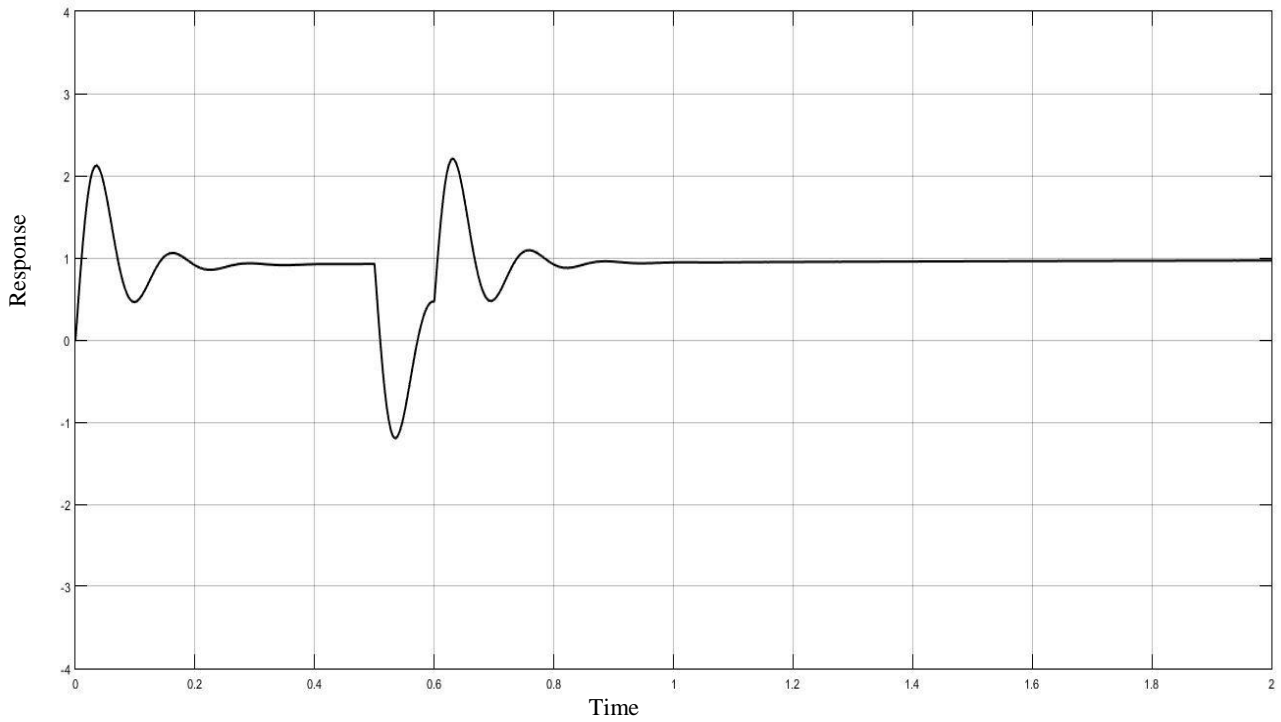


Figure 9 System response with disturbance by Fuzzy logic controller

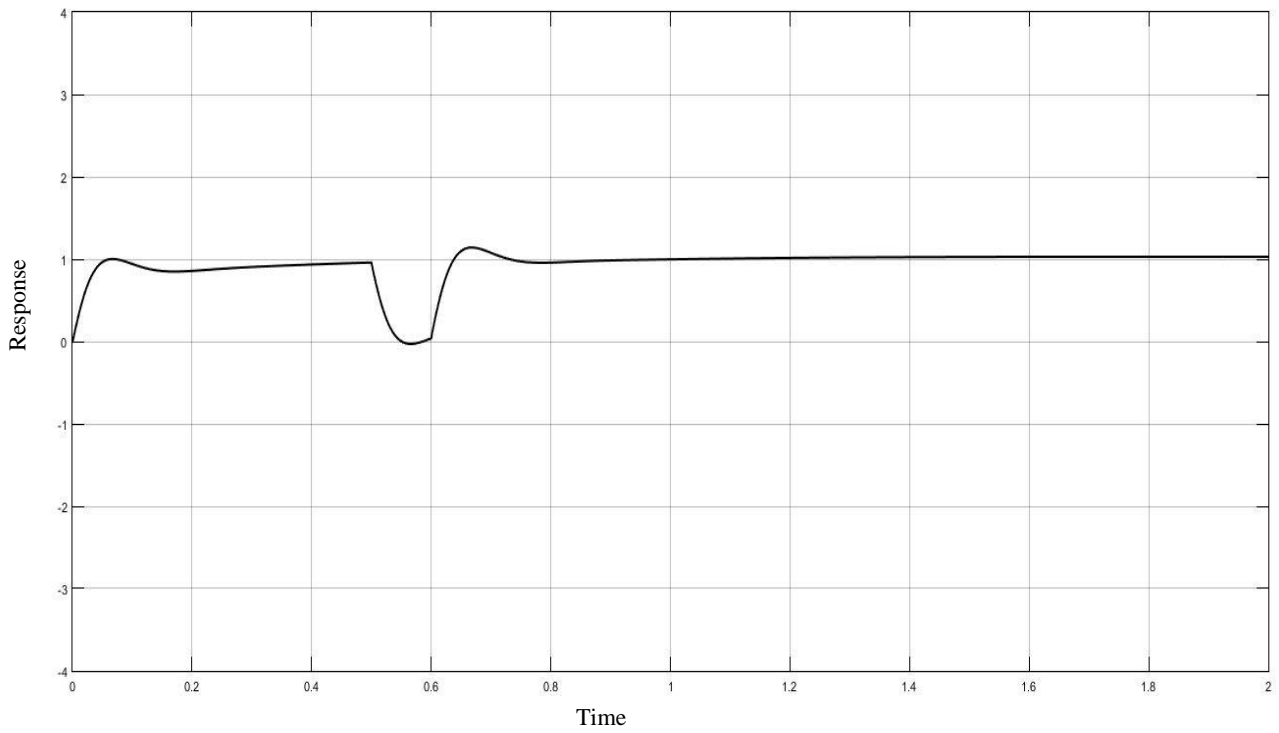


Figure 9 System response with disturbance with Fuzzy-Swarm-PID controller (FSPID)

5. Conclusion

The main function of AVR is used to fix the machine voltage response at limited level. This paper is focused on the mixing between PSO, Fuzzy, and conventional PID controller as famous intelligent technique in control system to enhance the output response of the system. The main goal is to enhance the performance of the voltage transient response of high order AVR system. This work is powerful to improve the response as shown in Table 2. According to the results, this work is a novel techniques compared with classical PID and fuzzy logic controller or fuzzy tuned by PSO.

6. References

- [1] L. H. Hassan, M. Moghavvemi, and H. A. F. Mohamed, "Power system stabilization based on artificial intelligent techniques; A review," presented at the 2009 International Conference for Technical Postgraduates (TECHPOS), , Kuala Lumpur, 2009.
- [2] R. Gnanadass, "Operating performance of RLS based power system stabilizer for Indian utility system," presented at the 2011 International Conference on Recent Advancements in Electrical, Electronics and Control Engineering (ICONRAEeCE), , 2011.
- [3] E. M. Gouveia and M. A. Matos, "Symmetric ac fuzzy power flow model," *European journal of Operation Research*, vol. 197, pp. 1012-1019, 2009.
- [4] A. T. Al-Awami, Y. L. Abdel-Magid, and M. A. Abido, "A particleswarm-based approach of power system stability enhancement with unified power flow controller," *Electric Power and Energy Systems*, vol. 29, pp. 251-259, 2007.
- [5] A. L. B. Bomfim, G. N. Taranto, and D. M. Falcao, "Simultaneous tuning of power system damping controllers using genetic algorithms," *IEEE Trans. on Power Systems*, vol. 15, pp. 163–169, 2000.
- [6] H. M. Hasanien, "Design Optimization of PID Controller in Automatic Voltage Regulator System Using Taguchi Combined Genetic Algorithm Method," *IEEE systems journal*, vol. 7, 2013.
- [7] M. A. Abido and Y. L. Abdel-Magid, "Coordinated design of a PSS and an SVC-based controller to enhance power system stability," *Electrical Power and Energy Systems*, vol. 25, pp. 695–704, 2003.
- [8] Z. L. Gaing, "A Particle Swarm Optimization Approach For Optimum Design of PID Controller in AVR System," *IEEE Transaction on Energy Conversion*, vol. 19, pp. 384-391, 2004.
- [9] P. Kundur, *Power System Stability and Control*. New York: McGraw-Hill Inc., 1994.
- [10] A. Walton, "A Systematic Analytical Method for the Determination of Parameters of Synchronous Machines from the Results of Frequency Response Tests," *Journal of Electrical Engineering-Australia*, vol. 20, pp. 35-42, 2000.
- [11] A. N. S. I. a. T. I. o. E. a. E. Engineers, "IEEE Standard Definitions for Excitation Systems for Synchronous Machines," ed. USA: ANSI/IEEE Std 421., 1986, pp. 1-1986.

- [12] T. I. o. E. a. E. Engineers, "IEEE Recommended Practice for Functional and Performance Characteristics of Control Systems for Steam Turbine-Generator Units," ed. USA: ANSI/IEEE Std 122-1985, 1985.
- [13] H. Saadat, *Power System Analysis*: Boston:McGraw-Hill Inc., 1999.
- [14] B. E. Law, "Simulation Of The Transient Response Of Synchronous Machines," School of Information Technology and Electrical Engineering, The University Of Queensland, 2001.
- [15] A. K. A. Albakri, "Matlab modeling and simulation of high order Synchronouse machine model," *AL-TAQANI:Foundation of technical education*, vol. 23, pp. 211-221, 2010.
- [16] A. K. A. Albakri and A. A. A. A. Albakri, "A Proposed Approach to Control Of Automatic Voltage Regulator System Using Intelligent Control Technique," *AL-TAQANI:Foundation of technical education*, vol. 21, pp. 109-119, 2008.
- [17] E. Song and N. S. I. Albakirat, "Transient response enhancement of high order synchronous machine based on Evolutionary PID controller " *International Journal of Control and Automation*, vol. 7, pp. 383-398, 2014.
- [18] A. P. Khatra, "Implementation of a multi-layered fuzzy controller On an FPGA," MSC, Punjab Technical University, 2002.
- [19] K. Chih-Cheng and F. Rong-Fong, "Using the modified PSO method to identify a Scott-Russell mechanism actuated by a piezoelectric element," *Mechanical Systems and Signal Processing, Elsevier.*, vol. 23, pp. 1652-1661, 2009.
- [20] F. Valdez, p. Melin, and O. Castillo, "Particle Swarm optimization for Designing an Optimal Fuzzy Logic Controller of a DC Motor," in *2012 Annual Meeting of the North American Fuzzy Information Processing Society (NAFIPS)*, , 2012.
- [21] K. Astrom and T. Hagglund, *PID Controllers; Theory, Design and Tuning*, 1995.
- [22] A. A.-A. A. Albakri, "transiant response enhancement based on intelligent controllers.," PhD thesis Electrical power engineering, university of technology, Baghdad , Iraq, 2007.